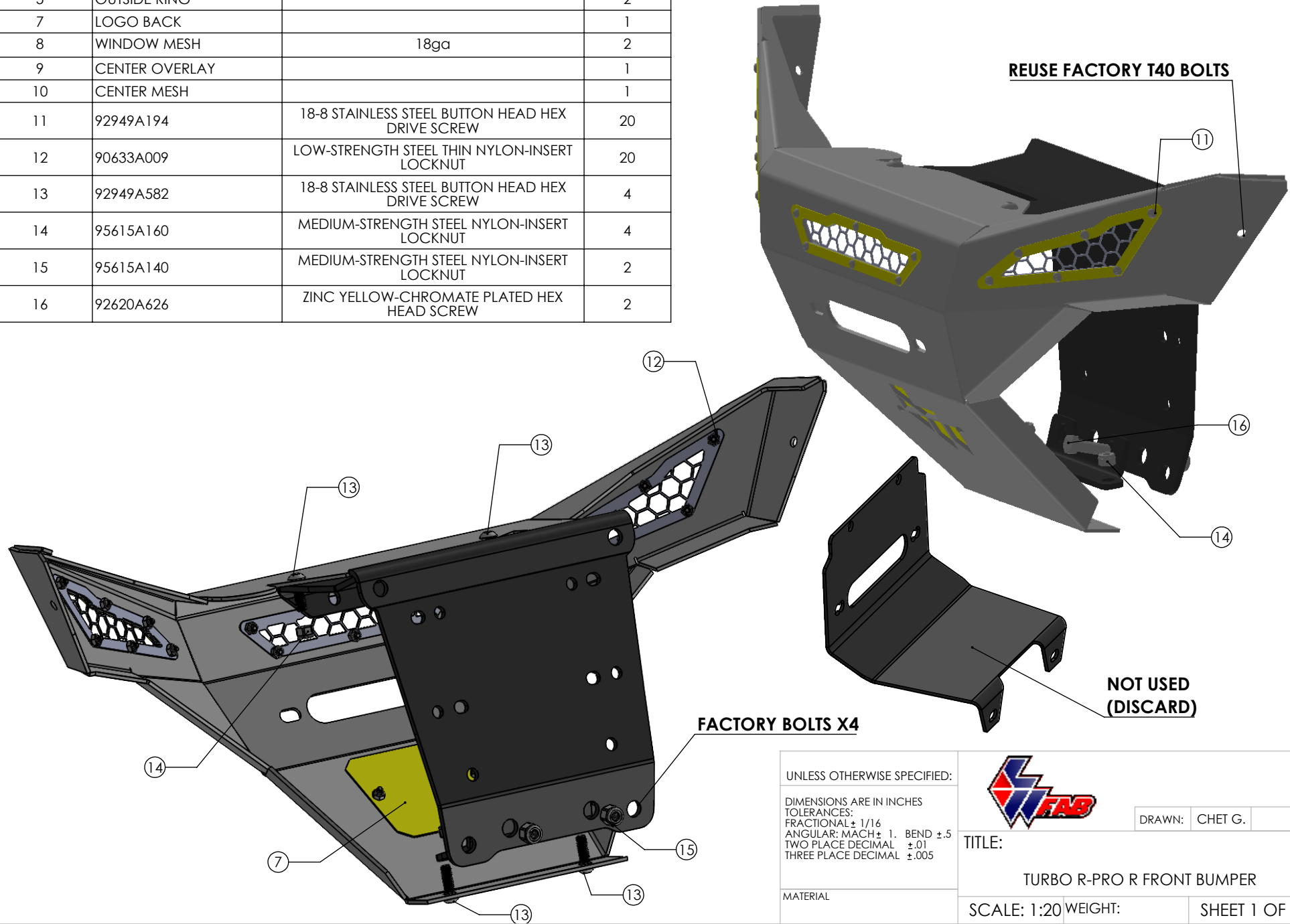


ITEM NO.	PART NUMBER	DESCRIPTION	PARTS USED
1	PRO R WINCH MOUNT		1
2	LOWER MOUNT R		1
5	OUTSIDE RING		2
7	LOGO BACK		1
8	WINDOW MESH	18ga	2
9	CENTER OVERLAY		1
10	CENTER MESH		1
11	92949A194	18-8 STAINLESS STEEL BUTTON HEAD HEX DRIVE SCREW	20
12	90633A009	LOW-STRENGTH STEEL THIN NYLON-INSERT LOCKNUT	20
13	92949A582	18-8 STAINLESS STEEL BUTTON HEAD HEX DRIVE SCREW	4
14	95615A160	MEDIUM-STRENGTH STEEL NYLON-INSERT LOCKNUT	4
15	95615A140	MEDIUM-STRENGTH STEEL NYLON-INSERT LOCKNUT	2
16	92620A626	ZINC YELLOW-CHROMATE PLATED HEX HEAD SCREW	2



UNLESS OTHERWISE SPECIFIED:			DRAWN: CHET G.
DIMENSIONS ARE IN INCHES TOLERANCES: FRACTIONAL: $\pm 1/16$ ANGULAR: MACH ± 1 , BEND $\pm .5$ TWO PLACE DECIMAL: $\pm .01$ THREE PLACE DECIMAL: $\pm .005$			TITLE: TURBO R-PRO R FRONT BUMPER
MATERIAL	SCALE: 1:20	WEIGHT:	SHEET 1 OF 1